



Bringing warmth to your home.
www.rointe.co.uk

Official price list 2015 · 2016



Rointe
United Kingdom



D SERIES ELECTRIC DIGITAL RADIATOR · White series


MODELS	ELEMENTS	POWER	VOLTAGE	WIDTH (A)	HEIGHT (B)	DEPTH (C)	WEIGHT	EAN CODE	TP
DIW0330RAD	3	330 W	230 V	350 mm	585 mm	97 mm	10 kg	8436045913708	£ 352.00
DIW0550RAD	5	550 W	230 V	510 mm	585 mm	97 mm	14 kg	8436045913715	£ 446.00
DIW0770RAD	7	770 W	230 V	675 mm	585 mm	97 mm	18 kg	8436045913722	£ 558.00
DIW0990RAD	9	990 W	230 V	835 mm	585 mm	97 mm	22 kg	8436045913739	£ 637.00
DIW1210RAD	11	1.210 W	230 V	992 mm	585 mm	97 mm	26 kg	8436045913746	£ 707.00
DIW1430RAD	13	1.430 W	230 V	1.160 mm	585 mm	97 mm	30 kg	8436045913753	£ 783.00
DIW1600RAD	15	1.600 W	230 V	1.320 mm	585 mm	97 mm	34 kg	8436045913760	£ 874.00

D SERIES ELECTRIC DIGITAL RADIATOR · Graphite series


MODELS	ELEMENTS	POWER	VOLTAGE	WIDTH (A)	HEIGHT (B)	DEPTH (C)	WEIGHT	EAN CODE	TP
DIB0330RAD	3	330 W	230 V	350 mm	585 mm	97 mm	10 kg	8436045913777	£ 373.00
DIB0550RAD	5	550 W	230 V	510 mm	585 mm	97 mm	14 kg	8436045913784	£ 473.00
DIB0770RAD	7	770 W	230 V	675 mm	585 mm	97 mm	18 kg	8436045913791	£ 591.00
DIB0990RAD	9	990 W	230 V	835 mm	585 mm	97 mm	22 kg	8436045913807	£ 675.00
DIB1210RAD	11	1.210 W	230 V	992 mm	585 mm	97 mm	26 kg	8436045913814	£ 750.00
DIB1430RAD	13	1.430 W	230 V	1.160 mm	585 mm	97 mm	30 kg	8436045913821	£ 830.00
DIB1600RAD	15	1.600 W	230 V	1.320 mm	585 mm	97 mm	34 kg	8436045913838	£ 926.00

D SERIES ELECTRIC DIGITAL TOWEL RAIL · White series


MODELS	POWER	VOLTAGE	WIDTH (A)	HEIGHT (B)	DEPTH (C)	WEIGHT	EAN CODE	TP
DTI030SEW	300 W	230 V	500 mm	855 mm	50 mm	13 kg	8436045913920	£ 423.00
DTI045SEW	450 W	230 V	500 mm	1,175mm	50 mm	17 kg	8436045913937	£ 476.00
DTI060SEW	600 W	230 V	500 mm	1,490 mm	50 mm	21 kg	8436045913944	£ 519.00
DTI075SEW	750 W	230 V	500 mm	1,810 mm	50 mm	25 kg	8436045913951	£ 576.00

D SERIES ELECTRIC DIGITAL TOWEL RAIL · Graphite series

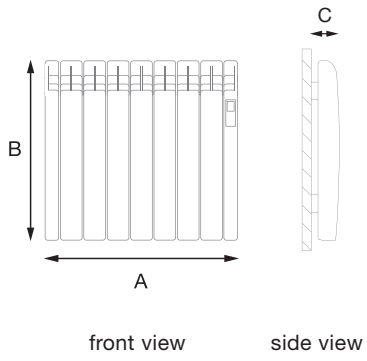

MODELS	POWER	VOLTAGE	WIDTH (A)	HEIGHT (B)	DEPTH (C)	WEIGHT	EAN CODE	TP
DTI030SEB	300 W	230 V	500 mm	855 mm	50 mm	13 kg	8436045913883	£ 493.00
DTI045SEB	450 W	230 V	500 mm	1,175mm	50 mm	17 kg	8436045913890	£ 616.00
DTI060SEB	600 W	230 V	500 mm	1,490 mm	50 mm	21 kg	8436045913906	£ 690.00
DTI075SEB	750 W	230 V	500 mm	1,810 mm	50 mm	25 kg	8436045913913	£ 759.00

D SERIES ELECTRIC DIGITAL TOWEL RAIL · Chrome series

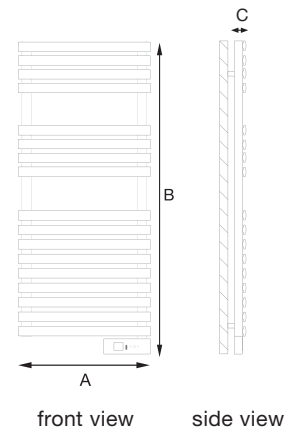

MODELS	POWER	VOLTAGE	WIDTH (A)	HEIGHT (B)	DEPTH (C)	WEIGHT	EAN CODE	TP
DTI030SEC	300 W	230 V	500 mm	855 mm	50 mm	13 kg	8436045913845	£ 535.00
DTI045SEC	300 W	230 V	500 mm	1,175mm	50 mm	17 kg	8436045913852	£ 686.00
DTI060SEC	450 W	230 V	500 mm	1,490 mm	50 mm	21 kg	8436045913869	£ 796.00
DTI075SEC	600 W	230 V	500 mm	1,810 mm	50 mm	25 kg	8436045913876	£ 921.00



Dimensions D SERIES digital radiator



Dimensions D SERIES towel rail




KYROS ELECTRIC DIGITAL RADIATOR


REFERENCE	ELEMENTS	POWER	VOLTAGE	HEIGHT	WIDTH	DEPTH	WEIGHT	EAN CODE	TP
KRI0330RAD2	3	330 W	230 V	580 mm	350 mm	98 mm	10 kg	8436045913296	£ 271.00
KRI0550RAD2	5	550 W	230 V	580 mm	520 mm	98 mm	14 kg	8436045913302	£ 343.00
KRI0770RAD2	7	770 W	230 V	580 mm	680 mm	98 mm	18 kg	8436045913319	£ 429.00
KRI0990RAD2	9	990 W	230 V	580 mm	840 mm	98 mm	22 kg	8436045913326	£ 490.00
KRI1210RAD2	11	1,210 W	230 V	580 mm	1,010 mm	98 mm	26 kg	8436045913333	£ 544.00
KRI1430RAD2	13	1,430 W	230 V	580 mm	1,180 mm	98 mm	30 kg	8436045913340	£ 602.00
KRI1600RAD2	15	1,600 W	230 V	580 mm	1,330 mm	98 mm	34 kg	8436045913357	£ 672.00

KYROS ELECTRIC DIGITAL RADIATOR · Conservatory


REFERENCE	ELEMENTS	POWER	VOLTAGE	HEIGHT	WIDTH	DEPTH	WEIGHT	EAN CODE	TP
KRI1100RADC2	11	1,100 W	230 V	420 mm	1,010 mm	98 mm	19 kg	8436045914293	£ 504.00
KRI1300RADC2	13	1,300 W	230 V	420 mm	1,180 mm	98 mm	22 kg	8436045914309	£ 557.00
KRI1500RADC2	15	1,500 W	230 V	420 mm	1,330 mm	98 mm	25 kg	8436045914316	£ 622.00

KYROS ELECTRIC DIGITAL TOWEL RAIL · White series


REFERENCE	POWER	VOLTAGE	HEIGHT	WIDTH	DEPTH	WEIGHT	EAN CODE	TP
KTI030SEB2	300 W	230 V	900 mm	500 mm	50 mm	11 kg	8436045913562	£ 272.00
KTI050SEB2	500 W	230 V	1,300 mm	500 mm	50 mm	15 kg	8436045913579	£ 346.00
KTI075SEB2	750 W	230 V	1,700 mm	500 mm	50 mm	22 kg	8436045913586	£ 391.00
KTI100SEB2	1,000 W	230 V	1,900 mm	500 mm	50 mm	28 kg	8436045913593	£ 431.00

KYROS ELECTRIC DIGITAL TOWEL RAIL · Metal series


REFERENCE	POWER	VOLTAGE	HEIGHT	WIDTH	DEPTH	WEIGHT	EAN CODE	TP
KTI030SEM2	300 W	230 V	900 mm	500 mm	50 mm	11 kg	8436045913487	£ 401.00
KTI050SEM2	500 W	230 V	1,300 mm	500 mm	50 mm	15 kg	8436045913494	£ 501.00
KTI075SEM2	750 W	230 V	1,700 mm	500 mm	50 mm	22 kg	8436045913500	£ 569.00
KTI100SEM2	1,000 W	230 V	1,900 mm	500 mm	50 mm	28 kg	8436045913517	£ 617.00

KYROS ELECTRIC DIGITAL TOWEL RAIL · Chrome series

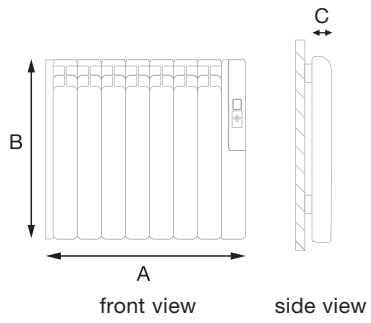

REFERENCE	POWER	VOLTAGE	HEIGHT	WIDTH	DEPTH	WEIGHT	EAN CODE	TP
KTI030SEC2	300 W	230 V	900 mm	500 mm	50 mm	11 kg	8436045913401	£ 433.00
KTI050SEC2	300 W	230 V	1,300 mm	500 mm	50 mm	15 kg	8436045913418	£ 558.00
KTI075SEC2	500 W	230 V	1,700 mm	500 mm	50 mm	22 kg	8436045913425	£ 696.00
KTI100SEC2	750 W	230 V	1,900 mm	500 mm	50 mm	28 kg	8436045913432	£ 749.00

KYROS ELECTRIC DIGITAL WATER HEATER

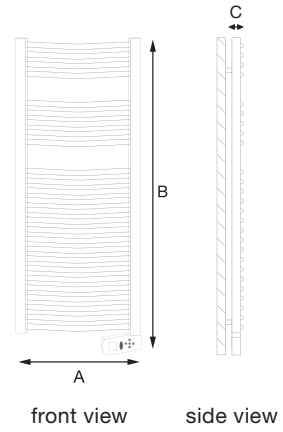

REFERENCE	POWER	VOLTAGE	HEIGHT	WIDTH	INST. DEPTH	WEIGHT	CAPACITY	EAN CODE	TP
KWI050DHW2	2,400 W	230 V	685 mm	404 mm	420 mm	18 kg	50 L	8436045913654	£ 630.00
KWI075DHW2	2,400 W	230 V	935 mm	404 mm	420 mm	25 kg	75 L	8436045913661	£ 784.00
KWI100DHW2	2,400 W	230 V	1,170 mm	404 mm	420 mm	32 kg	100 L	8436045913678	£ 869.00
KWI150DHW2	2,400 W	230 V	960 mm	580 mm	620 mm	44 kg	150 L	8436045913685	£ 1,020.00
KWI200DHW2	2,400 W	230 V	1,120 mm	580 mm	620 mm	56 kg	200 L	8436045913692	£ 1,157.00



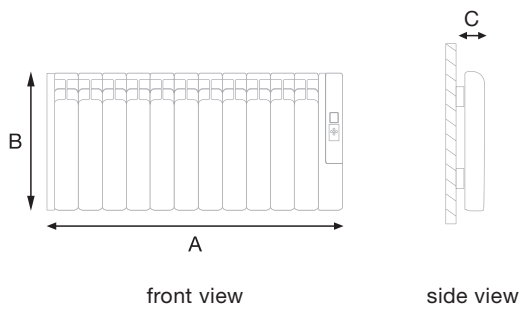
Dimensions KYROS digital radiator



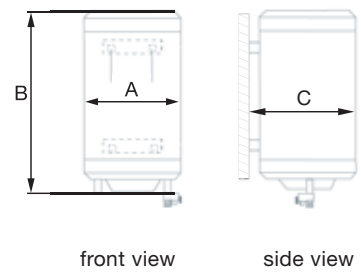
Dimensions KYROS towel rail



Dimensions KYROS digital radiator conservatory



Dimensions KYROS digital water heater




PROTECTIVE GRILL - 600 MM


REFERENCE	GRILL FOR	COLOUR	HEIGHT	WIDTH	DEPTH	WEIGHT	EAN CODE	TP
RKY0550	KRI0550RAD2	white	660 mm	600 mm	150 mm	8.1 kg	8436045914392	£ 81.00
RKY0770	KRI0770RAD2	white	660 mm	760 mm	150 mm	9 kg	8436045914408	£ 89.00
RKY0990	KRI0990RAD2	white	660 mm	920 mm	150 mm	10.6 kg	8436045914415	£ 98.00
RKY1210	KRI1210RAD2	white	660 mm	1.090 mm	150 mm	11.8 kg	8436045914422	£ 109.00
RKY1430	KRI1430RAD2	white	660 mm	1.260 mm	150 mm	13.1 kg	8436045914439	£ 119.00
RKY1600	KRI1600RAD2	white	660 mm	1.410 mm	150 mm	14.4 kg	8436045914446	£ 131.00

PROTECTIVE GRILL - 400 MM


REFERENCE	GRILL FOR	COLOUR	HEIGHT	WIDTH	DEPTH	WEIGHT	EAN CODE	TP
RKY1100	KRI1100RADC2	white	500 mm	1.090 mm	150 mm	10.8 kg	8436045914453	£ 100.00
RKY1300	KRI1300RADC2	white	500 mm	1.260 mm	150 mm	12.1 kg	8436045914460	£ 110.00
RKY1500	KRI1500RADC2	white	500 mm	1.410 mm	150 mm	13.4 kg	8436045914477	£ 120.00

AIR CONTROL INFRARED REMOTE CONTROL


REFERENCE	COLOUR	HEIGHT	WIDTH	DEPTH	WEIGHT	EAN CODE	TP
ACMI120	White 9010	177 mm	54 mm	21 mm	115 gr	8436045914286	£ 135.00

INSTALLATION KIT FOR ROINTE WATER HEATERS

REFERENCE	FOR SIZES (L)	EXPANSION VESSEL	TUNDISH	PRESS. RED. VALVE	RELIEF VALVE	EAN CODE	TP
KITKW01	50 L / 75 L	8 litres (0.1 MPa)	15 - 25 mm	0.35 Mpa	0.60 Mpa	8436045914330	£ 218.00
KITKW02	100 L / 150 L	12 litres (0.1 MPa)	15 - 25 mm	0.35 Mpa	0.60 Mpa	8436045914347	£ 219.00
KITKW03	200 L	18 litres (0.1 MPa)	15 - 25 mm	0.35 Mpa	0.60 Mpa	8436045914354	£ 227.00

SUPPORT TRIPOD FOR ROINTE WATER HEATER

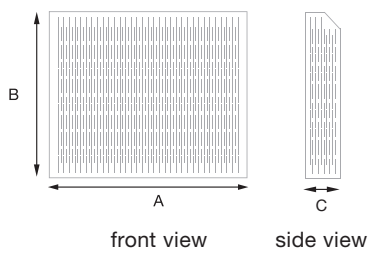

REFERENCE	COLOUR	FOR SIZES (L)	EAN CODE	TP
TPKW001	white	150 L / 200 L	8436045914323	£ 80.00

ENERGY SAVING KIT FOR ROINTE WATER HEATER

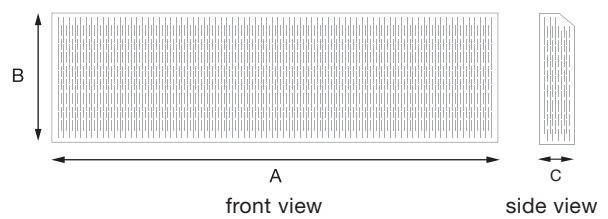

REFERENCE	SIZE	FOR SIZES (L)	EAN CODE	TP
KWVAL1814	1/2"	50 L / 75 L / 100 L	8436045914361	£ 150.00
KWVAL1815	3/4"	150 L / 200 L	8436045914378	£ 180.00



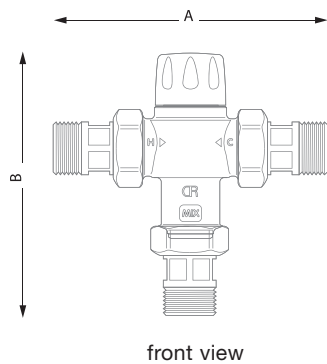
Dimensions for KYROS radiator - 600 MM



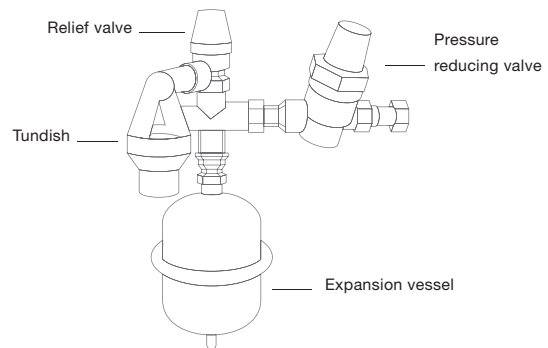
Dimensions for KYROS radiator - 400 MM



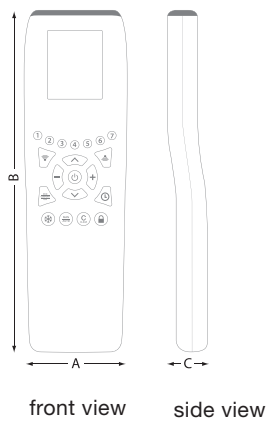
Dimensions energy saving Kit for Rointe water heater



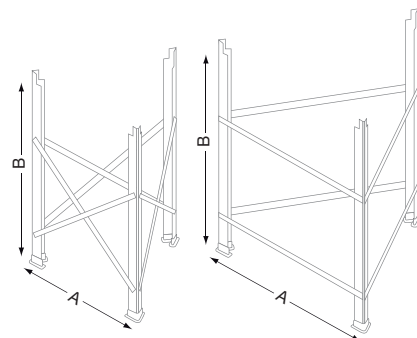
Installation kit for Rointe water heaters



Dimensions for Air control



Dimensions support tripod for Rointe water heater



Terms and conditions of sale

1. DEFINITIONS

"Company" means ROINTE UK.

"Customer" means any person or organisation to whom the Company shall provide or contract to provide Goods.

"Goods" means goods sold by the Company to the Customer and including but not limited to those goods for which payment in full has not been received by the Company.

"Contract" means the Contract between the Company and the Customer for the sale of Goods.

2. GENERAL APPLICATION

2.1. These conditions apply to all Goods supplied by the Company to the Customer and no alteration or qualification of these conditions shall be effective unless agreed by the Company in writing. No order shall be binding on the Company until accepted by the Company in writing.

2.2. The Customer who orders Goods from the Company shall be deemed to agree that any written or printed conditions attached to or referred to in such orders are only binding so far as they are not at variance with the Company's Terms and Conditions.

2.3. The Customer acknowledges these terms and conditions of sale having checked them in advanced and accepting them in full. (TOR15V1-UK)

3. PRICE AND PAYMENT

3.1. All Goods must be paid for at the time of ordering unless the Company has agreed to supply on credit terms in which case the following conditions apply:

- a. Payment shall be due as per the face of the invoice.
- b. Payment shall be made in full without deduction or set off.
- c. The Customer shall indemnify the Company in respect of all costs incurred by the Company in recovery of the price from the Customer.
- d. Payment may under no circumstances be delayed.

3.2. Prices are subject to revision without notice and the prices payable by the Customer will be those ruling at the date of order.

3.3. Prices quoted in current price lists of the Company supersede all prices for similar goods in previous price lists.

3.4. Prices quoted are exclusive of V.A.T. which shall be charged at such rate as shall be applicable from time to time.

4. CANCELLATION

4.1. No cancellation of any order from the Customer can be accepted without prior written agreement of the Company and if the Company provides written agreement to cancellation any and all costs and expenses incurred by the Company in disposing of the Contract shall be paid by the Customer.

4.2. No orders cancellation will be accepted under the following circumstances:

- a. If the order has been dispatched.
- b. If the order contains special units whose manufacturing has begun.

5. CUSTOMER RETURNS IN GOOD CONDITIONS.

5.1. No customer returns from the Customer can be accepted without prior written agreement of the Company and if the Company provides written agreement to cancellation any and all costs and expenses incurred by the Company in disposing of the Contract shall be paid by the Customer.

5.2. A charge of at least 15% of their original price will be payable to cover reception, inspection and fault registration costs. All returns must arrive at no cost to the Company.

5.3. No customer returns in good conditions will be accepted unless the Company agrees it in writing under the following conditions:

- a. If goods are returned within less than 30 days after purchase by the customer there will be 15% handling charge.
- b. If goods are returned within less than 30 days and 3 months after purchase by the by the customer there will be 20% handling charge.
- c. If goods are returned within less than 3 months and 12 months after purchase by the customer there will be 25% handling charge.
- d. If goods are returned within less than 12 months after purchase by the customer there will be 30% handling charge.

6. DELIVERY

6.1. All times or dates given for the delivery of the Goods are approximate only and the Company shall not be liable for any delay in delivery of the Goods howsoever caused. Time for delivery shall not be of the essence unless previously agreed by the Company in writing.

6.2. The Company shall be entitled to delay or cancel delivery or to reduce the amount delivered if it prevented from or hindered in or delayed in manufacturing obtaining or delivering the Goods by normal route or means of delivery through any circumstances beyond. Its control including but not limited to strikes, lockouts, accidents, war, fire, reduction in or unavailability of power at manufacturing plant, breakdown of plant or machinery or shortage of or unavailability of raw materials normal sources of supply.

6.3. Minimum carriage paid: £1,000 net (excluding VAT). For less than this total amount, it will be £30 carriage fee.

6.4. The Company reserves the right not to supply if the Customer has any outstanding invoice to be paid and the payment has been overdue. The customer in this case will be on stop.

7. DELIVERY CONDITIONS

7.1. The products are supplied packaged with brackets, screws and fixings the cost of which is included in the sale price. The goods are deemed to be delivered when they are placed on the lorry in the warehouses, except for offers with special conditions, and the Company's liability as a haulier ends at that point.

7.2. Confirmed orders may be supplied in partial deliveries, unless the Customer receives the goods, the Customer will write "received pending cheking" next to the signature in the haulier's delivery note.

8. GUARANTEE

8.1. All the materials are covered by the respective guarantees for any manufacturing faulty from the date of sale and acceptance of the fault by our Technical department will be required before the faulty product is returned to us. Please refer to our brochure to check all the details.

9. DEBIT NOTES

9.1. The Company reserves the right not to accept the debit notes received by the Customer.

9.2. No debit note from the Customer can be accepted without prior written agreement of the Company and if the Company provides written agreement to process the debit

note accordantly.

10. RISK AND TITLE

- 10.1. Risk in respect of any Goods connected with the Contract shall pass to the Customer at the time of delivery by the Company.
- 10.2. Title to the Goods shall not pass to the Customer until the Customer has paid to the Company the whole price.

10.3. The Customer is not the agent of the Company for the purposes of any sale of the Goods and for the avoidance of doubt it is hereby declared that on no account has the Customer or its receiver or liquidator or trustee in bankruptcy any authority to sell the Goods when in receivership liquidation or bankruptcy or when the same is about to occur.

11. EXCLUSION OF LIABILITY

11.1. Except in respect of death or personal injury caused by the negligence of the Company or its agents, officials or employees (being negligence defined by Section 1 of the Unfair Contract Terms Act 1977) the Company shall not be liable to the Customer by reason of any representation implied warranty condition or other term or any duty at common law or under any contract or for any economic loss, loss of production, loss of bargain, loss of profit or any other costs expenses or other claims for consequential compensation whatsoever which arise out of or in connection with the Contract except as expressly provided in these conditions and PROVIDED ALWAYS that the maximum liability of the Company in relation to any loss or damage shall in no case exceed the price in the Contract.

12. REPRESENTATIONS

12.1. The Company's employees or agents are not authorized to make any representations concerning the Goods unless confirmed by the Company in writing.

13. SHORTAGES

13.1. Shortages should be identified at the time of delivery and noted on the face of the proof of delivery document which should be signed by the Customer indicating acceptance of the delivery as specified or amended.

13.2. Failure to note alleged shortages at the time of delivery shall prevent the Customer from claiming under the Contract.

13.3. The customer cannot claim any compensation under no circumstances.

14. BRITISH STANDARD

14.1. The Goods shall be supplied by the Company in accordance with the relevant British standard applying to such Goods.

15. WARRANTY

15.1. Where any Goods (or any part thereof) are shown to the reasonable satisfaction of the Company to be defective by reason of faulty material or workmanship within a period of twelve months from the date of installation in respect of domestic heaters or water heaters or twelve months from the date of delivery in the case of Goods supplied for use in homes or professional areas the Company shall at its sole option:

- a. Deliver replacement Goods or any part or parts thereof free of charge.
- b. Raise a credit note for the full total amount paid by the Customer for this unit. The customer needs to send us the original purchase order so we will check the initial price paid for this unit.
- c. The liability of the Company under these terms and conditions shall be accepted by the Customer in substitution for and to the exclusion of any other claims for direct loss which the Customer has or may have.
- d. The Customer should revise all the instructions manual and bear in mind the Company recommendations.

16. HEALTH AND SAFETY

16.1. All Goods are supplied by the Company to the Customer with appropriate fitting and other instructions relating to the fitting and installation of Goods. Certain goods are supplied accompanied by written recommendation from the Company that they should only be fitted or installed by expert and skilled workers and it shall be the responsibility of the Customer to ensure that where the Goods are sold on to a third party they are accompanied by all appropriate safety and fitting instructions.

16.2. Where the Customer fits and installs the Goods itself it shall ensure that the contents of all the safety and fitting instructions are specifically drawn to the attention of its employees.

16.3. The Customer hereby undertakes to take such measures as are communicated in writing to the Customer by the Company and to take such other steps as are sufficient to ensure so far as is reasonably practicable that the Goods will at all times be safe and without risk to health when properly used and the Goods shall not be regarded as properly used when they are used without regard to any relevant information or advice relating to their use which is communicated to the Customer by the Company.

16.4. The Customer shall indemnify and keep indemnified the Company in respect of all claims, actions, proceedings, costs, expenses, loss or damage (whether direct, indirect, economic or consequential) including without prejudice to the generality hereof any monetary penalty or fine in respect of or in connection with the Goods arising out of any one or more of the following:

- a. under the Health and Safety at work Act 1974 as amended or any regulations orders or directions made thereunder.
- b. Resulting from any breach of the Customer's obligations under this terms and conditions.
- c. Under the Consumer Protection Act 1987 or any statutory replacement therefor in respect of Goods which were not defective at the time when they were supplied to the Customer.

17. SEVERANCE

17.1. In the event that for any reason any provision or provisions in these conditions or any part thereof is or is held to be void or unenforceable or otherwise invalid any Contract made which incorporates these conditions shall continue to be fully binding and the remainder of these conditions shall continue to be effective.

18. WAIVER

18.1. The rights and remedies of the Company under the Contract shall not be diminished waived or extinguished by the granting of any indulgence, forbearance or extension of time by the Company nor by any failure of or delay by the Company in asserting or exercising any such right or remedy.

19. JURISDICTION

19.1. The conditions in each and every Contract made pursuant hereto here shall be governed by and construed in all respects in accordance with the Laws of England and the Company and the Customer irrevocably submit to the exclusive jurisdiction of the English Courts.

19.2. These general terms of sale will apply to all trade relations between the Company and the Customers, and purchases accept these general conditions when making an order.

NOTE: Rointe reserves the right to modify the configuration and presentation of the contents included within this publication. The images published in this publication may not exactly match the final installed product.

Discover now Rointe *pro* our site for professionals

Enter www.rointe.co.uk/professional
and discover everything
Rointe has to offer.

Free technical studies, calculation app, download manuals, easy programming
guides, offers and promotions...

